

SpotMax™

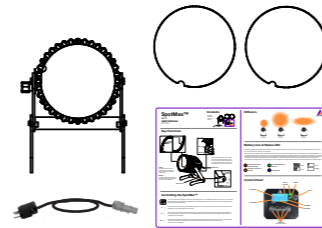
AX10 USER MANUAL

Manual Version: 1.0
Date of Issue: 30/01/14

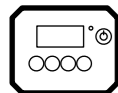


Contents

- SpotMax™
- 2x Diffusors
- Powercon True1 Power Cord
- User Manual



Controlling the SpotMax™



Set a color or basic effect through the control pad on the AX10's backside. Press the MENU/COLOR button and use the + and - buttons to display different colors. Confirm with the ENTER button. Press the ENTER/PROG button and use the + and - button to display different programs. Confirm with ENTER button.



Use Astera's ARC1 remote control, point at individual lights and press the desired effect. Note that the IR sensor is on the AX10 rearside although the IR signal should bounce off walls and floor.

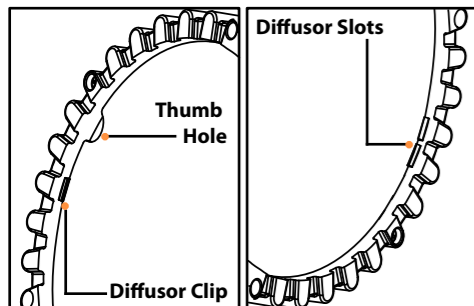


Astera's remote control and the AsteraTouch tablet can group several lights together, address individual lights or groups of lights and send complex effects to all lights in range. For additional information refer to the manual and quick start guide of ARC2 and ARC6 at www.astera-led.com/downloads.



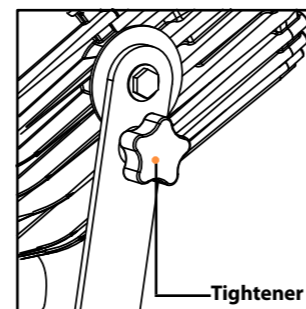
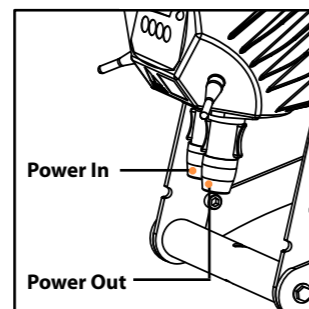
Connect an ART3 (Wireless DMX Transmitter) to your DMX desk to send wireless DMX signals to the AX10. You can set the AX10's DMX address on its control pad or send it from a remote control. Additionally, the AX10 can be controlled by CRMX Wireless DMX (from Lumen Radio) and W-DMX (from Wireless Solutions). For additional information refer to the ART3 manual at www.astera-led.com/downloads

Key Functions



Due to the Powercon True1 cord, the SpotMax™ is IP65 waterproof, even when charging. Ensure the rubber caps are closed when not charging to make it waterproof.

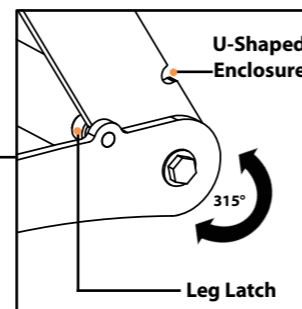
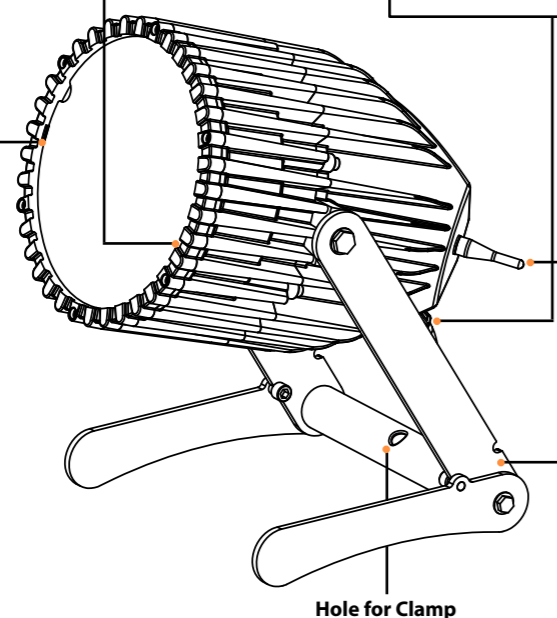
Turn clock-wise to tighten the legs of the SpotMax™.



The legs of the SpotMax™ have a U-shaped enclosure to rest the leg latch into so that when closed, the legs remain together, and when open, the legs remain open. When the legs are closed, the SpotMax™ can be carried by hand and/or placed neatly into a transportation case.

ATTACH
The Diffusor must be slid into the Diffusor Slots, then pressed down firmly and clipped in under the Diffusor Clip.

REMOVE
The Diffusor Clip should be pressed in, and the Diffusor Sheet should be lifted out via the thumb hole.



Diffusors



NOTE:
Each diffusor has its name inscribed on the edge.

For ideal illumination the text on the fascia should be facing outwards.



Perfect Spot
Beam: 13°
(without diffusor)



Flood
Beam: 32°
(FLOOD diffusor)



Wallwash
Beam: 17° x 46°
(WALLWASH diffusor)

Battery Icon & Status LED

The Battery Status LED is designed for being used before an event. All fixtures should have a green Status LED to ensure that the battery lasts for your upcoming event. If it is another color, recharging is recommended.

While the battery is charging the Status LED will be blue. Also, the Battery Icon will start the charging sequence. Once the battery is fully charged the battery icon on the display will show all 3 bars (as below). If the battery is already fully charged and the power cord is plugged in, the display will show a battery with moving bars for approx. 30-60 seconds after which it will stop and the icon will show a full battery. When the SpotMax™ is turned off and the power cord is connected, the charging process will begin. This is indicated by the LCD display turning on.



Less than 30mins runtime remaining; recharge



Up to 30mins runtime have been used



Over 30mins runtime have been used



Connected to AC



Charging



80%+



50% - 80%

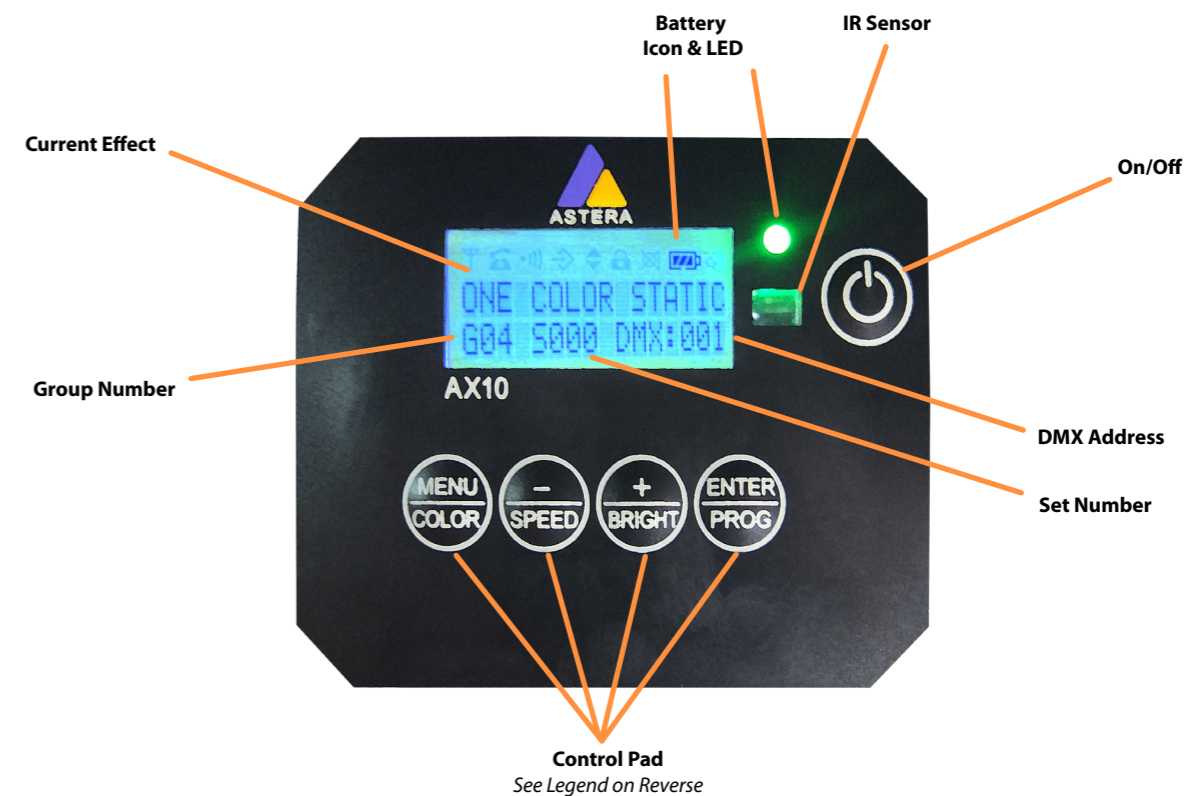


15% - 50%



Less than 15%

Control Panel





Astera LED-Technology
 Nahestrasse 68-70
 55593 Rüdeshheim an der Nahe
 Kreis Bad Kreuznach
 Germany
 +49 (0) 671 92028292

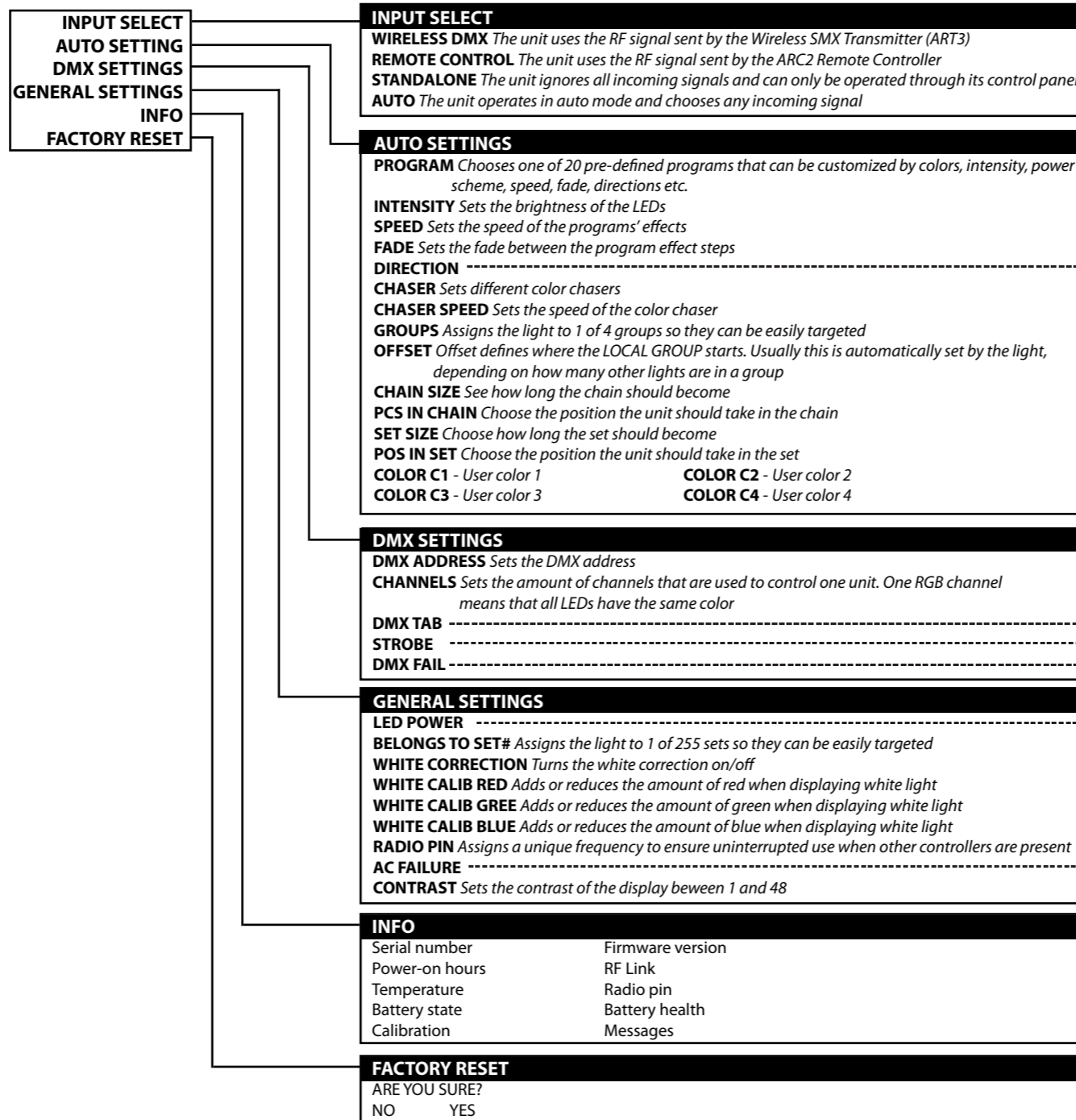
www.astera-led.com

Technical Data

The SpotMax™ contains 9 RGBAW Philips LEDs, each containing 15W of LED power, totalling an impressive 135W LED power.

Illuminants:	9 x 15W RGBAW Philips LEDs
Total LED Power:	135W
Light Output:	3,350 lm at 4000K
<i>typical values</i>	3,150 lm at 6500K 3,100 lm at 7500K
Luminous Emittance:	10,350 lx at 2m
<i>typical values</i>	4,700 lx at 3m 1,800 lx at 5m
CRI:	92 at 3000K (60%-70% intensity)
<i>typical value</i>	
Stroke:	0-25Hz
Beam Angle:	13° (achieved through Khatod lenses)
Battery:	Built-in Samsung battery
Battery Lifetime:	70% capacity after 300 full charging cycles
Battery Runtime:	5-20 hours
LED Lifetime:	50,000 hours
Working Voltage:	Input 110-240V, 50/60Hz
Power Consumption:	170W (maximum)
Wireless Module:	868MHz (US: 902-928MHz) 2.4GHz wireless module
Range:	300m / 330yds (maximum)
DMX Capable:	CRMX Wireless DMX (Lumen Radio) W-DMX (Wireless Solutions), or Wireless DMX (with ART3)
Connector:	Neutrik Powercon True1 In/Out
Housing:	Water-resistant cast aluminium
IP Rating:	IP65
Relative Humidity:	0-100% (non-condensing)
Operating Temperature:	0°-40°C (32°-104°F)
Weight:	8.15kg (18lbs)
Dimensions:	L279mm x H296mm x W253mm L10.9" x H11.6" x W9.9"
Environment:	Indoor / Outdoor
Features:	TruColor™ Calibration, Temperature compensation, Dynamic power-boost, Auto-white & Auto-amber, Dual antennas.
Included Accessories:	Power Cord, 2 x Diffuser Sheets
Also Available:	Charging Case (holds 4)

Menu Structure



LEGEND

BACK TO PREVIOUS MENU	SCROLL DOWN	SCROLL UP	CHOOSE/CONFIRM

DIRECTION Adjusts direction and looping of programs' effects
FFW+LOOP Programs run in normal (forward) direction. When a program finishes, it starts over
REV+LOOP Programs run in reversed direction. When a program finishes, it starts over
FFW Program runs in normal (forward) direction.
FWD Programs run in normal (forward) direction. When a program is finished, execution is stopped
REV Programs run in reversed direction. When a program finishes, it stops.

DMX TAB Several different DMX tables can be chosen
RGB S RGB S.. For each pixel, there are three channels RGB and one channel strobe scope
RGB RGB S S.. All RGB channels are followed by all strobe scope channels
EFFECT MODE MIX The four user colors are controlled
EFFECT MODE RGB The four user colors are controlled by three DMX channels
RGBAW S For each pixel 5 channels can be set individually, followed by 1 channel strobe scope
RGB CCT DIM IND Seven channels control each pixel, apart from RGB values, the color temperature, index color, a seamless brightness control, and strobe can be set

STROBE Sets a series of strobe effects
SINGLE One DMX channel is supplied for the control of the strobe function and all pixels' strobe will be identical. When using this setting, DMX TAB should not be set to RGB S RGB S..
MULTIPLE For each pixel, the strobe scope can be controlled individually
OFF Strobe scope is turned off globally. One DMX channel is supplied for the control of the strobe function and all pixels' strobe will be identical. When using this setting, DMX TAB should not be selected

DMX FAIL detects AC power loss (if plugged in)
HOLD The output remains unchanged, the last DMX frame is displayed
EMERGENCY LIGHT LEDs turn white until AC power is restored
BLACKOUT LEDs turn dark in case of AC power loss
AUTO PROGRAM Plays the program set in AUTO SETTINGS > PROGRAMS

LED POWER 3 different power schemes can be set to optimize the playback
MAXIMISE RUNTIME The lights are less bright but battery will last up to 24hrs
NORMAL The lights are normal brightness and battery will last at least 8hrs
HIGH BRIGHTNESS The lights are set to a brightness that is stronger than usual but will drain the battery quickly

AC FAILURE Sets the behaviour when no AC signal is detected
EMERGENCY LIGHT If no AC signal is detected, the light turns white
NO ACTION The playback continues as before
BLACKOUT If no AC signal is detected, all lights will turn off

Troubleshooting

The fixture does not start up.

It might be empty. Connect it to the AC power and try again.

The fixture starts up and the display is on but the LEDs do not emit light.

The light is probably set to BLACKOUT mode or set to display black color. Use a remote control to change the color. If this does not work, do a factory reset.

The units behave incorrectly and do not display the color or effect I would like them to.

The fixture might still have a setting which was previously programmed. Do a factory reset to completely wipe all settings.

I did a factory reset and still cannot control the light.

Make sure the RADIO PIN of the fixture and controller are the same.

The units run out of battery after less than 8 hours.

To get a longer battery runtime, you can set the POWER MODE from HIGH BRIGHTNESS to NORMAL. Or you can program the fixture to display colors that take less power such as Red, Green, and Blue.

The power cable is connected but the fixture is not charging.

To protect your battery, the fixture will only charge if it has a temperature of 45 degrees or less. Switch off the fixture and the light will cool down.

Safety



Before you operate this unit, read the manual carefully. Always make sure to include the manual if you pass/rent/sell the unit to another user. Keep in mind that this manual cannot address all possible dangers and environments. Please use your own caution when operating.



Do not operate the unit in areas of temperature conditions or under direct sunlight. It will cause abnormal function or damage the product.



Only qualified personnel may repair this product. Do not open the product housing.



A rechargeable battery is built into this unit. Please avoid bumping or plunging, it will cause FIRE or EXPLOSION. Never store the battery when fully drained. Always recharge immediately when empty.



Make sure to fully charge all units before storing them. Partially charged batteries will lose capacity. Do not store the unit longer than 3 months without re-charging.



The exterior surfaces of the SpotMax™ can become hot, up to 70° C (158° F), during normal operation. Ensure that accidental physical contact with the devices is impossible. Allow all AX10 devices to cool before servicing. Use only Astera approved accessories to diffuse or modify the light beam.



Do not directly look at the light beam for long periods. It can cause harm to your eyes. Do not look into the beam at a distance of less than 0.5 meters (20 inches) from the front surface of the product, and do not look at LEDs with a magnifying glass or any other optical instrument that may concentrate the light output.

This product is for professional use only. It is not for household use.